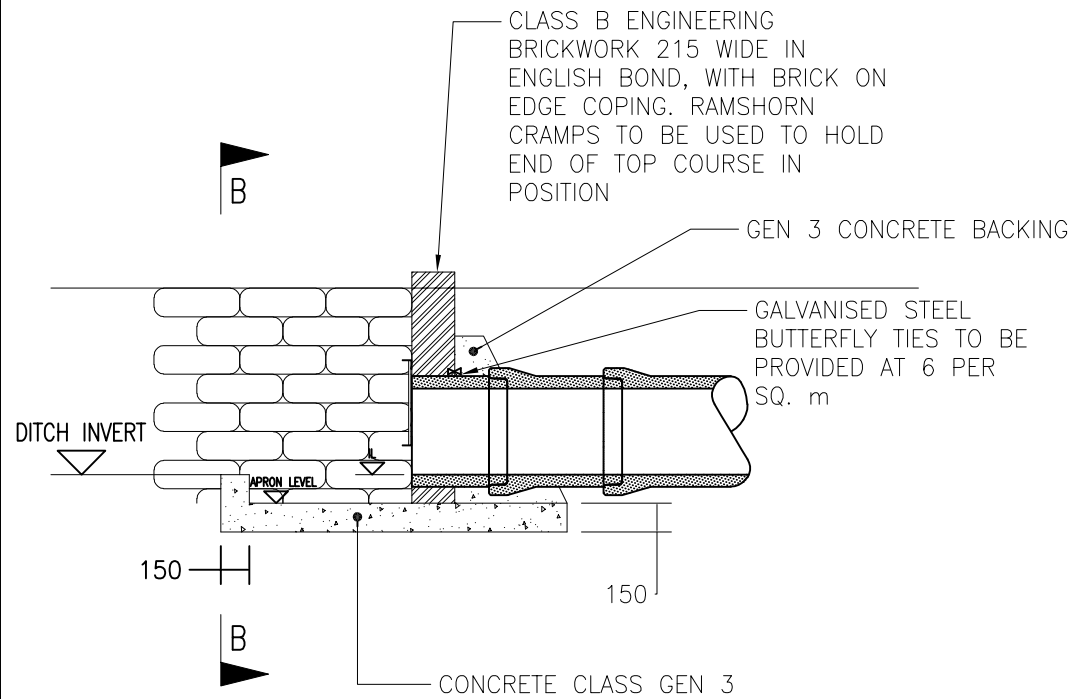
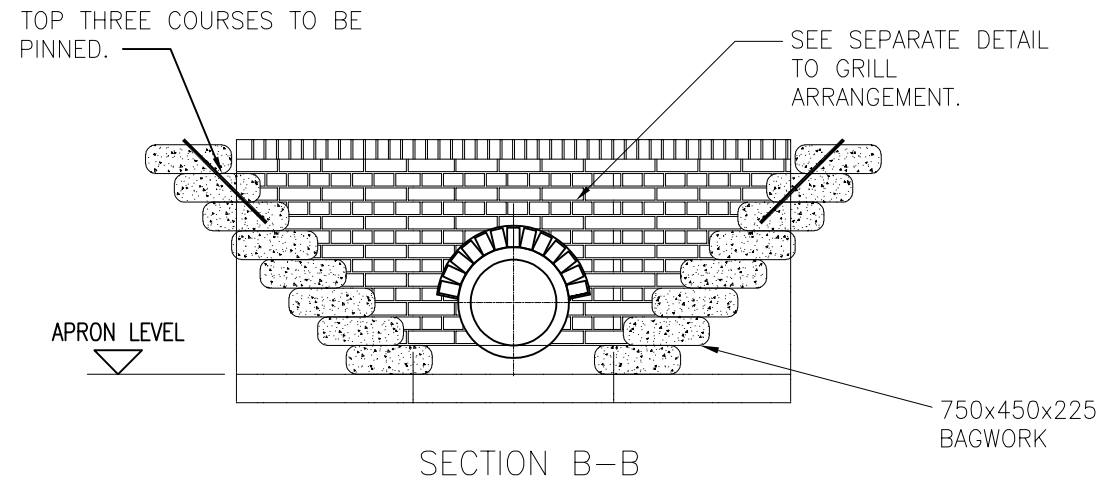


Drawing Number
SD/500/13B

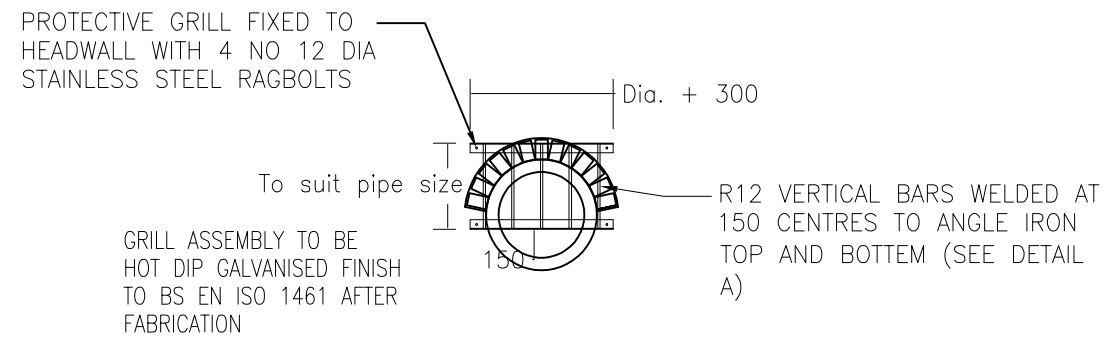
- Notes
- All dimensions are in millimetres unless shown otherwise.
 - Piping of ditches must have the consent of the EA and the landowner.
 - Brickwork constructed in bricks to BS EN 771 HD Class B in English Bond flush pointed with mortar to designation (i) SHW Series 2400.
 - Brickwork to be:
225 Thick for H < 1.2m
337 Thick for H > 1.2m
 - Concrete to be grade GEN 3.
 - Unformed surfaces to be U2 plain finish.
 - Protective grills must be fitted to all pipes over 300 dia.
 - Grill assembly to have hot dip galvanised finish to BS EN ISO 1461:1999 after fabrication.
 - Purpose made units may be used with the approval of the Engineer.
 - Where headwall is adjacent to a footway or cycletrack, a pedestrian guard rail or timber fence is to be provided as determined by the Engineer.



SECTION A-A

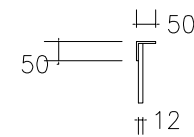


SECTION B-B

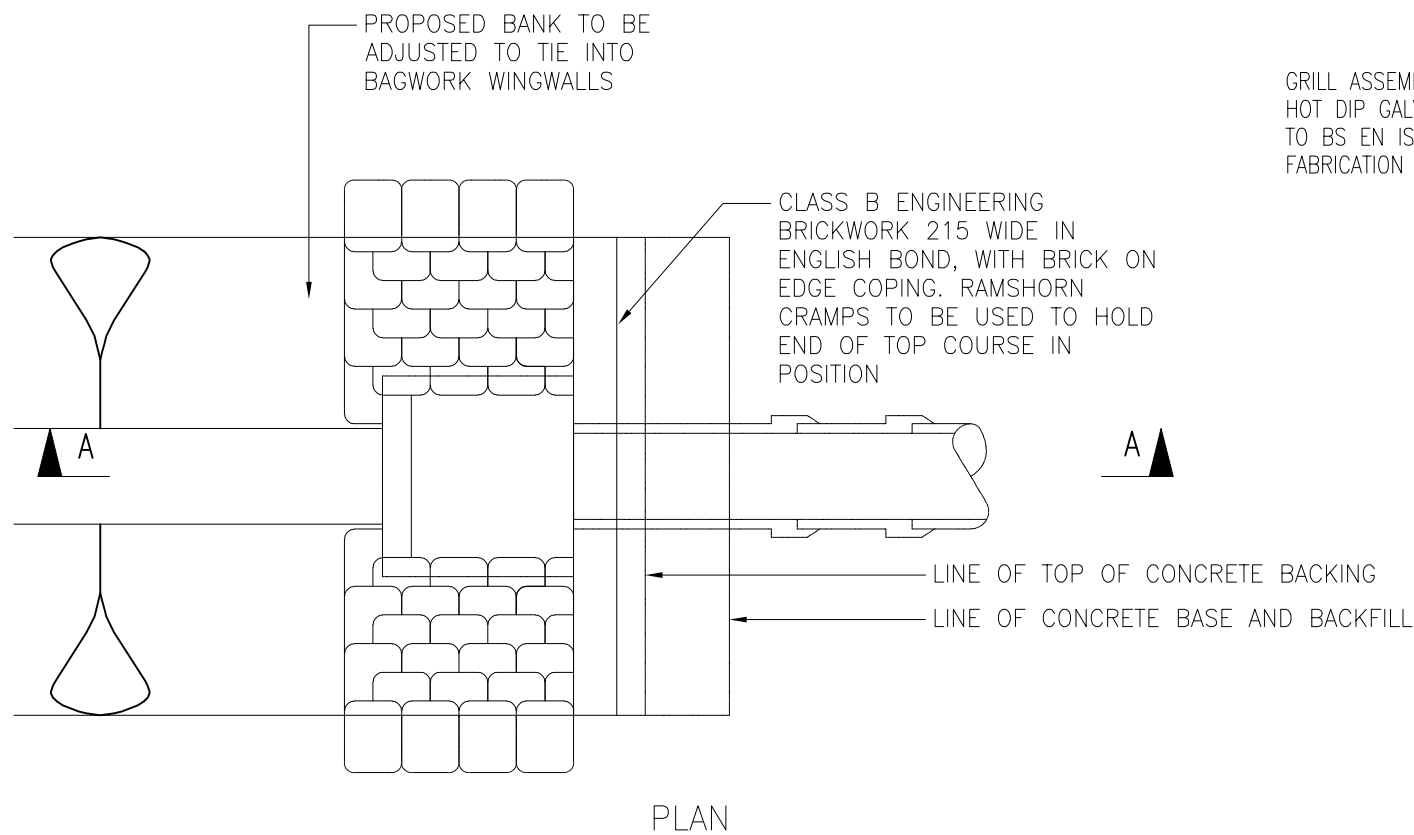


PROTECTIVE GRILL

50 X 50 X 5 MILD STEEL ANGLE IRON. 15 DIA HOLE DRILLED AT EACH END OF VERTICAL SIDE



DETAIL A



PLAN

Do not scale this drawing

B	APR 19	Updated title block	NR
A	JUN 13	Concrete grade revised. Drg enumbered	KPT
Rev	Date		Checked



Project

STANDARD DRAWINGS

Title

HEADWALL TYPE 4
PIPE SIZES 300 – 750

Drawing No.

SD/500/13B

Scale N.T.S

Date MAR 11

Department of Place,
Planning & Regeneration