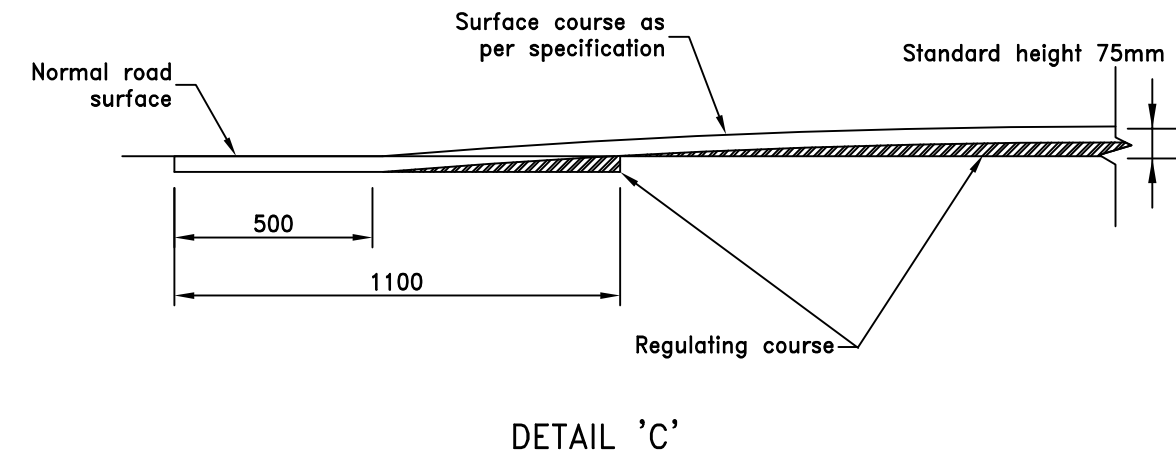
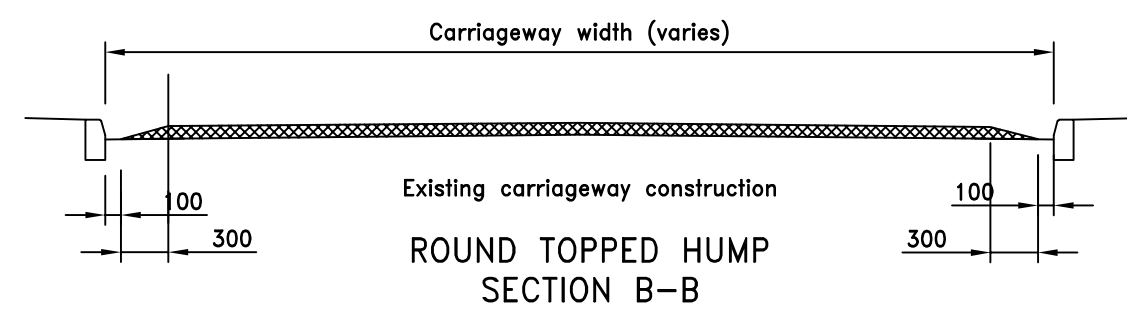
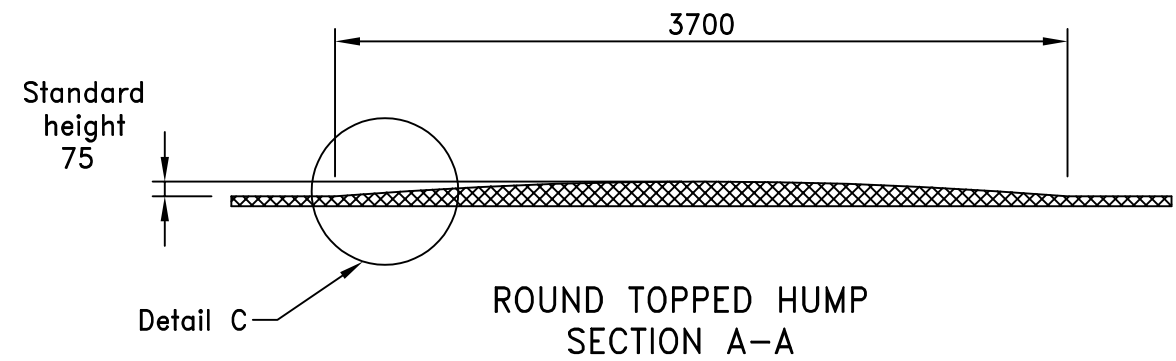
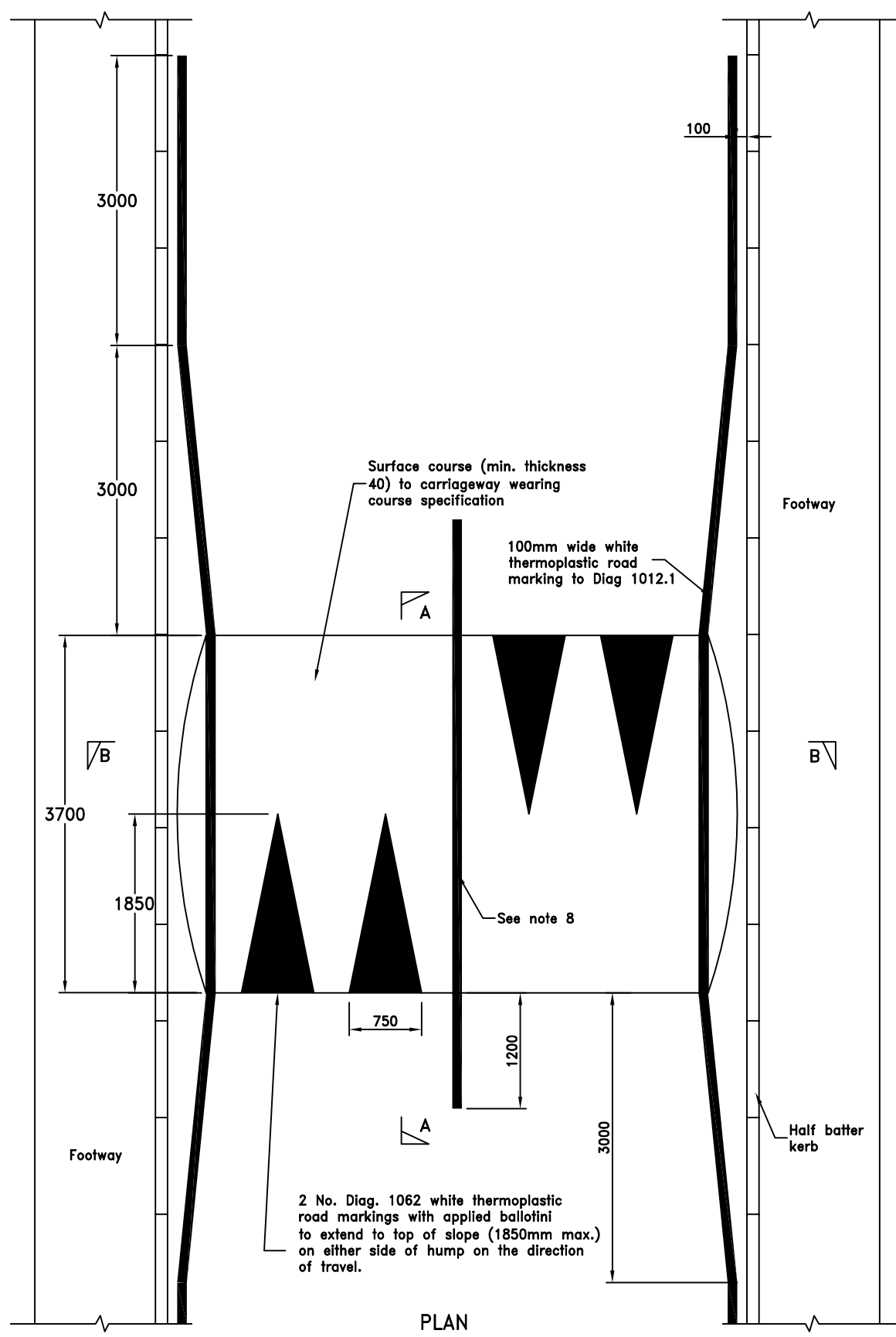


Drawing Number
SD/700/01C

- Notes
1. All dimensions are in millimetres
 2. Position of humps to comply with the Highways (Road Humps) Regulations 1999.
 3. Position of humps and gullies to be approved by the Engineer prior to construction.
 4. Width of hump to be determined by the overall road layout.
 5. Length of round top hump shall be 3700.
 6. For kerb and footway details see SD/1100/1B, 2B & 3B.
 7. Continuous edge of carriageway lines 100 wide are required on both sides of the carriageway and must extend for 6000 either side of hump.
 8. Centre line markings to Diag. 1004, 9000 module, 100 wide, are required, 6000 mark to be centred over hump.
 9. Height of ramp to be approved. May vary between 50 and 100 according to situation, However 75 is the desirable height.
 10. For Hump spacing see Traffic Advisory Leaflet 2/96 Table 1



Do not scale this drawing

Rev	Date	Description	Checked
C	APR 19	Updated title block	NR
B	Mar 11	Details and notes amended	NWR AMT
A	Oct 04	Details and notes amended	JN SM



Project
STANDARD DRAWINGS

Title
**ROAD HUMP
ROUND TOPPED HUMP
FLEXIBLE CONSTRUCTION**

Drawing No.
SD/700/01C

Scale **NOT TO SCALE** Date **MAY 04**

**Department of Place,
Planning & Regeneration**